

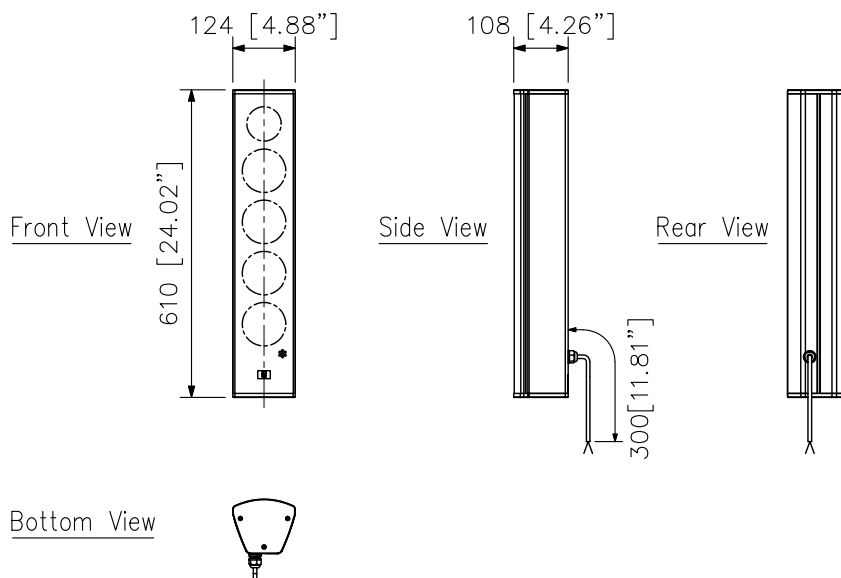
■DESCRIPTION

TOA's TZ-200BS, TZ-400BS wall mount column speakers feature an aluminum made housing and grill designed for indoor and outdoor installation. The speakers can be easily installed using the adjustable speaker mounting brackets included. The speakers come with screw type steatite terminal blocks and thermal fuse. They are certified according to the European Standard EN 54-24:2008 and compliant with the British Standard BS 5839-8:2008.

■SPECIFICATIONS

Information of EN/BS Standard	Certified to the European Standard EN 54-24:2008 Loudspeaker for voice alarm systems for fire detection and fire alarm systems DoP Number:22-001 In compliance with the British Standard BS 5839-8:2008
Rated Input	20W
Rated Impedance	100V line:500Ω (20W), 1kΩ (10W), 2kΩ (5W) 70V line:500Ω (10W), 1kΩ (5W), 2kΩ (2.5W)
Frequency Response	130 Hz ~ 20 kHz (Peak-20dB)
Sensitivity	92dB (1W, 1m, 100 ~ 10kHz, pink noise) 80dB (1W, 4m, 100 ~ 10kHz, pink noise)
Maximum Sound Pressure level	105dB (20W, 1m, 100 ~ 10kHz, pink noise) 93dB (20W, 4m, 100 ~ 10kHz, pink noise)
Coverage Angle (-6dB)	500Hz:Horizontal 360°, Vertical 100° 1kHz:Horizontal 185°, Vertical 45° 2kHz:Horizontal 130°, Vertical 25° 4kHz:Horizontal 100°, Vertical 20°
Operating Temperature	-30°C ~ +60°C
Dust/Water Protection	IP 66
Environmental Type	Type B (outdoor application)
Speaker Component	Woofers: 8.9cm x 4, Tweeter: 8.2cm x 1
Applicable Cable	0.6 - 0.3 mm ² (AWG 22) for solid wire 1.0 - 0.8 mm ² (AWG 18) for 2-core wire
Cable Connection	Screw terminal (steatite), 4 ports
Material	Enclosure: Aluminum alloy, Grille: Aluminum
Finish	White (RAL9016 or equivalent), paint
Dimension	610 (h) x 124 (w) x 108 (d) mm (24.02" x 4.88" x 4.26")
Weight	3.9 kg (8.16 lb)
Accessory	Aluminum Alloy Multi Bracket (A) & (B)---1, Hexagonal screw---2, Washer---2 Self-tapping screw---4, Plastic wall plug---4

■APPEARANCE



UNIT:mm SCALE:1/15